

nanODC

Compact Closure



STL nanODC is an exceptionally compact IP68-rated (2m) UL-94 V-0 UV-resistant enclosure, ideal for a wide range of installations including underground, pole-mounted, façade, and end-user network connections. Designed as the final outside plant branching and splitting point, it delivers reliable performance before reaching the end-user's premises. Its small form factor allows seamless integration into compact handholes and serves as a sleek, non-intrusive addition to façades.

Recommended for outdoor-to-indoor cable transitions or repairs, the STL nanODC supports up to 12 single-fiber drop cables, and its butt-end closure can accommodate up to 24 uncut retractable cable modules. It provides protection for 12f splices and includes space for a PLC splitter. The redesigned cassette ensures efficient management of uncut spliced fibers.

As part of the STL microODC ecosystem, the nanODC shares the same trusted sealing gasket technology, ensuring robust protection and durability in all environments.

Technical Features

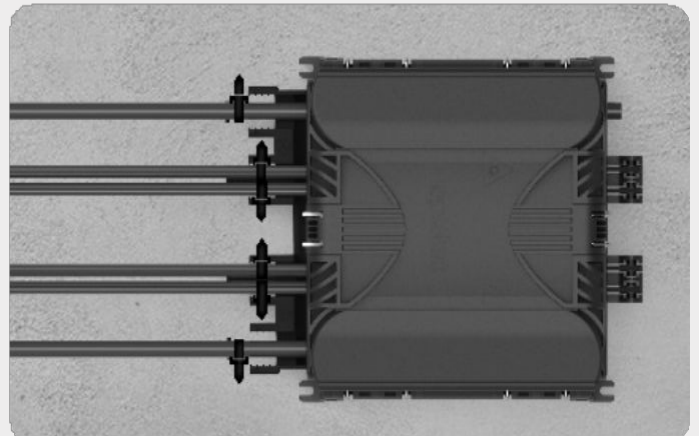
- **Sealed fiber splice closure** (Type 2, Cat. G for FTTH) compliant with EN 50411-2-10
- **IP68** (IEC 60529, 2m) and **IK08** certified for enhanced durability
- **UL-94 V-0** flame-retardant and **UV-resistant** for long-lasting outdoor performance
- **Compact dimensions:** 140 x 160 x 65mm for minimal space requirement
- **Butt-end configuration** with 4x multiport gaskets for flexible cable management
- Supports up to **12 single-drop 3mm cables**
- Available with **1 cassette option:** 12-fiber or 24-fiber capacity
- **Multiple color options**, including standard black and light grey
- **Operating temperature range:** -30°C to +60°C

Installations

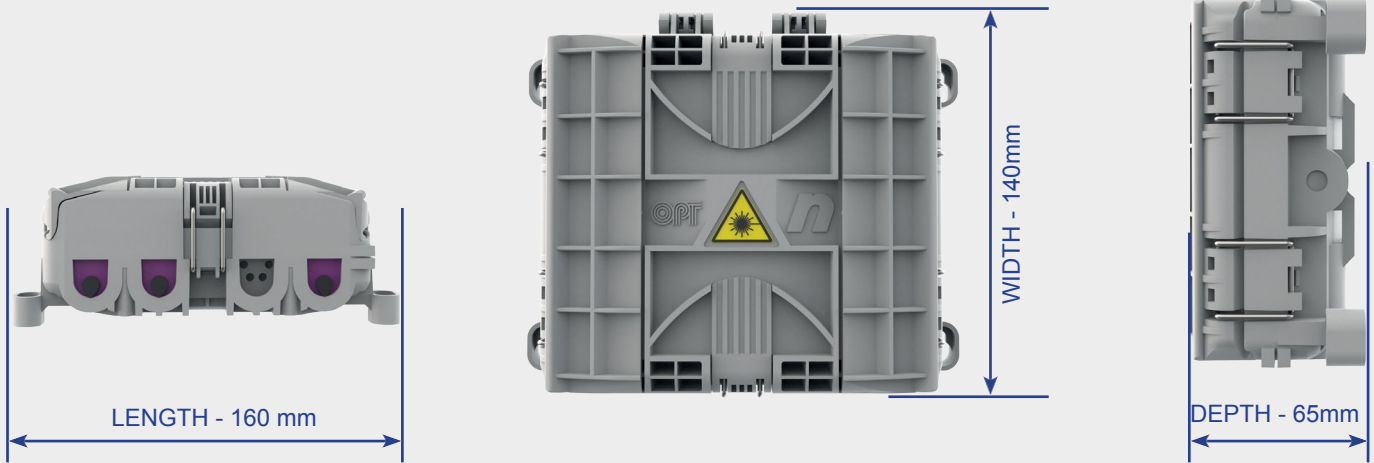
- Underground manholes and handholes
- Pole mounting with metal bands
- Façade and wall mounting

Applications

- Butt-end closure for end-users fibre connection
- Nano GPON distribution point with integrated splitter
- Outdoor/indoor cable transition point
- Disaster recovering closure for repair/maintenance



DIMENSIONS



ORDERING INFORMATION

REFERENCE PN	DESCRIPTION
nanODC-12H1PLC-DDJD-XXXX	nanODC butt-end for 3 cables 08-10 mm and 4 drop cables 2.5-3.5mm

* Other versions available upon request

PACKAGING

PRODUCT NAME	PACKAGING TYPE	DIMENSIONS (mm)			GROSS WEIGHT (KG.)
		LENGTH	WIDTH	HEIGHT	
nanODC	Carton Box	172	222	77	~2



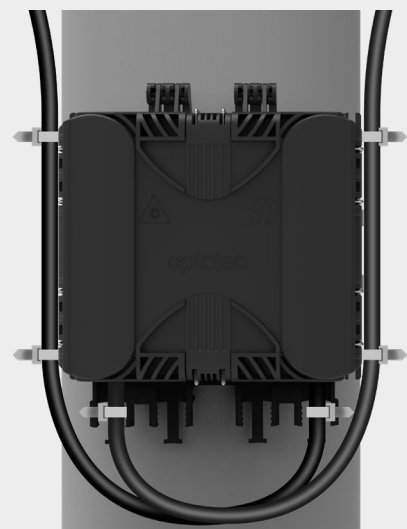
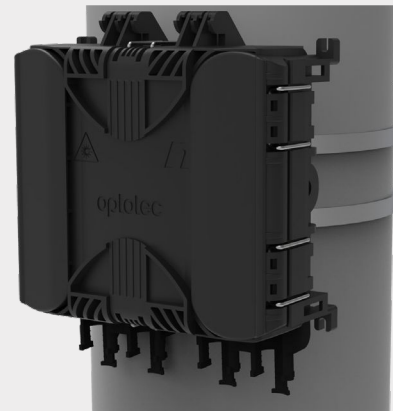
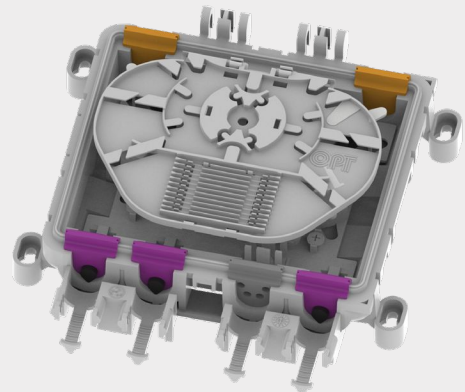
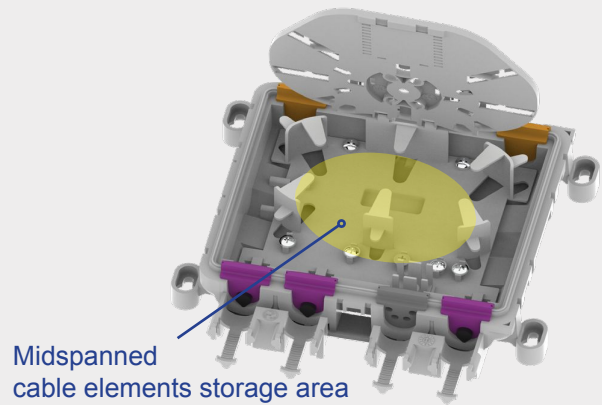
MAIN PARTS DESCRIPTION

The area below the splice cassette facilitates:

- Terminating cables with fixations outside and inside the closure. Strength members are secured by screws inside the closure, along with aramid yarn protection.
- Storing midspanned feeder cable modules or unused 12f or 24f retractable cable elements up to 160cm. Mid Spanned feeder cables enter the closure through the two side gaskets.
- Using the centrally positioned gaskets for branched cables or single fiber drops.
- Managing and protecting the routing of an element of the feeder cable to the upper splice cassette. Bare fibers reach the pivoting splice area with a minimum guaranteed bending radius of 20mm.
- Splicing up to 12f (80cm per side). The cassette can house one PLC splitter bare fiber (4x4x40mm) to use the nanODC as a GPON node. Cassettes for 24f splices or with crimp splice protectors holder are also available.

It is possible to use the nanODC directly fixed on poles by stainless steel metal bands (10mm) and clamps (spare parts, not included). The fixation is integrated in the back of the base.

For aerial feeder cables with a messenger wire, it is possible to secure the messenger to the closure as depicted in this figure.



KIT CODE AND PICTURE	KIT DESCRIPTION
<p>MICRODCKIT-BLIND GASKET</p> 	<p>- BLIND GASKET (12 pcs)</p>
<p>MICRODCKIT-LT-FEEDER GASKET 13-16 mm</p> 	<p>- FEEDER GASKET 1 HOLE 13-16 mm (12 pcs) - NYLON TIE-WRAP 100X2.5 (24 pcs) - ADHESIVE VELCRO (1 m) - CABLE CLIP (12 pcs) - DUMMY GASKET (12 pcs)</p>
<p>MICRODCKIT-LT- FEEDER GASKET 10-13 mm</p> 	<p>- FEEDER GASKET 1 HOLE 10-13 mm (12 pcs) - NYLON TIE-WRAP 100X2.5 (24 pcs) - ADHESIVE VELCRO (1 m) - CABLE CLIP (12 pcs) - DUMMY GASKET (12 pcs)</p>
<p>MICRODCKIT-LT- FEEDER GASKET 9-11 mm</p> 	<p>- FEEDER GASKET 1 HOLE 9-11 mm (12 pcs) - DUMMY GASKET (12 pcs) - ADHESIVE VELCRO (1 m) - CABLE CLIP (12 pcs) - NYLON TIE-WRAP 100X2.5 (24 pcs)</p>
<p>MICRODCKIT-LT- FEEDER GASKET 8-10 mm</p> 	<p>- FEEDER GASKET 1 HOLE 8-10 mm (12 pcs) - DUMMY GASKET (12 pcs) - ADHESIVE VELCRO (1 m) - CABLE CLIP (12 pcs) - NYLON TIE-WRAP 100X2.5 (24 pcs)</p>
<p>MICRODCKIT-LT- FEEDER GASKET 6-8 mm</p> 	<p>- FEEDER GASKET 1 HOLE 6-8 mm (12 pcs) - NYLON TIE-WRAP 100X2.5 (24 pcs) - ADHESIVE VELCRO (1 m) - CABLE CLIP (12 pcs) - DUMMY GASKET (12 pcs)</p>
<p>MICRODCKIT-LT-DROP GASKET 2X 6-7 mm</p> 	<p>- DROP GASKET 2 HOLES 6-7 mm (12 pcs) - DUMMY GASKET (24 pcs) - CABLE CLIP (24 pcs) - NYLON TIE-WRAP 100X2.5 (24 pcs) - NYLON TIE-WRAP 200X4.5 (24 pcs) - ADHESIVE VELCRO (1 m)</p>
<p>MICRODCKIT-LT-DROP GASKET 3X 5-6 mm</p> 	<p>- DROP GASKET 3 HOLES 5-6 mm (12 pcs) - DUMMY GASKET (36 pcs) - ADHESIVE VELCRO (1 m) - CABLE CLIP (36 pcs) - NYLON TIE-WRAP 100X2.5 (72 pcs)</p>
<p>MICRODCKIT-LT-DROP GASKET 3X 4-5 mm</p> 	<p>- DROP GASKET 3 HOLES 3-4 mm (12 pcs) - DUMMY GASKET (36 pcs) - ADHESIVE VELCRO (1 m) - CABLE CLIP (36 pcs) - NYLON TIE-WRAP 100X2.5 (36 pcs) AND 200X4.5 (36 pcs)</p>
<p>MICRODCKIT-LT- DROP GASKET 4X 2.5-3.5 mm</p> 	<p>- DROP GASKET 4 HOLES 2.5-3.5 mm (12 pcs) - ADHESIVE VELCRO (1 m) - CABLE CLIP (24 pcs) - SILICON PULL PLAG (48 pcs) - NYLON TIE-WRAP 100X2.5 (48 pcs)</p>
<p>MICRODCKIT-LT-DROP GASKET 9X 2-3 mm</p> 	<p>- DROP GASKET 9 HOLES 2-3 mm (12 pcs) - CABLE CLIP (36 pcs) - NYLON TIE-WRAP 100X2.5 (72 pcs) - ADHESIVE VELCRO (1 m)</p>
<p>MICRODCKIT-LT-DROP GASKET 2X R95</p> 	<p>- DROP GASKET 2 RECT HOLES 9-7 x 5-4 mm (12pcs) - DUMMY GASKET (24 pcs) - ADHESIVE VELCRO (1 m) - CABLE CLIP (24 pcs) - NYLON TIE-WRAP 100X2.5 (24 pcs) AND 200X4.5 (24 pcs)</p>

For additional information please contact your sales representative.

You can also visit our website at www.stl.tech

The information given herein, including drawings, illustrations and schematics are intended for illustration purposes only and is believed to be reliable. However, STL makes no warranties to its accuracy or completeness and disclaims any liability in connection with its use. STL obligations shall be only set forth in STL standard terms and conditions of the sale and in no case, STL be liable for any incidental, indirect or consequential damages arising out of sale, resale, use or misuse of the product. Users of STL products should make their own evaluation to determine the suitability of such each product for the specific application.