



## CRS12



STL CRS12 is an IP68 (2 m) Enclosure with 2x Network ports and 12x IP68 Drop Cable Ports and Connector Ruggedised System for use in Underground and Aerial networks (PIA Networks). CRS (Connector Ruggedised System) is suitable for pre-terminated and field installable LC/apc blowing fiber connectors which expedite the deployment of optical networks guaranteeing a perfect sealing to the enclosure.

STL CRS12 is a plug and play customer connection terminal to connect premises with a 7mm mini tube/duct with a pre-loaded field blowable ferrule (LC). The CRS can hold splitters as a secondary splitter node and can be delivered pre-tailed from the factory for even faster field deployments.

### APPLICATIONS

- Butt-end closure for GPON distribution
- Termination point for microducts with drop blowing fibre connectors

### KEY FEATURES AND BENEFITS

- IP68 approved, even if the port is left open.
- Splitter configuration options to enable 12 drops (e.g. 3 X 1:4 splitter).
- Compact dimensions (276 x 202 x 83mm) ideal for congested pits
- Protection connector cover can be factory fitted to LC simplex connectorised cable or retro fitted on site.
- Works with Emtelle<sup>®</sup> Fibre Flow system.
- 2x Network Ports for use with 7 mm Micro-duct and up to 12 Fibre Bundle.
- 12x Customer Drop Ports designed for use with pre-connectorized drop cables - LC/APC connectors.
- Network cable - Hard Spliced to Splitters Tails.
- Network cable can be pre-connectorised.

### INSTALLATIONS

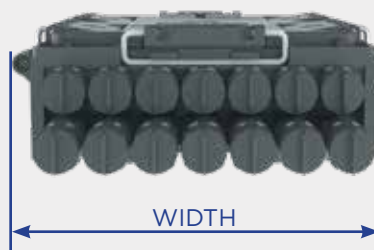
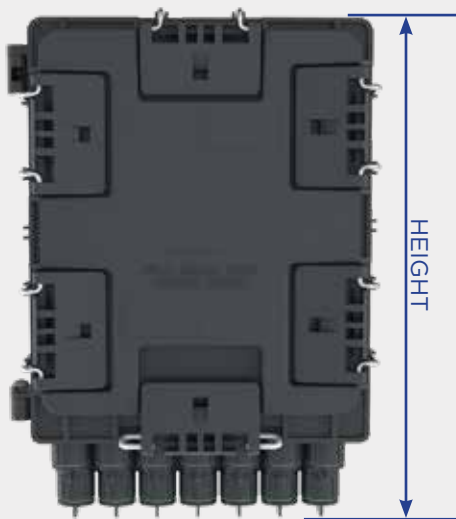
- Underground chambers and manholes
- Chamber mount and single or double pole mount



## DIMENSIONS

HEIGHT 276 mm  
 WIDTH 202 mm  
 DEPTH 83 mm

HEIGHT WITH DROPS 324 mm



## ORDERING INFORMATION

REFERENCE PN	DESCRIPTION
FKFOFCACPL00X2LA00	1 x Opto-CRS Closure with 3# 1:4 Splitter
FKFOFCACPL00X2XX00	1 x Opto-CRS Closure (including 2 x Network Ports)
TERMBOXPC012	2 x Splice Tray
TERMBOXPC011	1 x Fibre Storage
TERMBOXPC010	3 x 1:4 Splitters LC/APC

## PACKAGING

PRODUCT NAME	PACKAGING TYPE	DIMENSIONS (MM)			GROSS WEIGHT (KG.)
		WIDTH	DEPTH	HEIGHT	
STL CRS12	Carton Box	220	90	350	-2.2

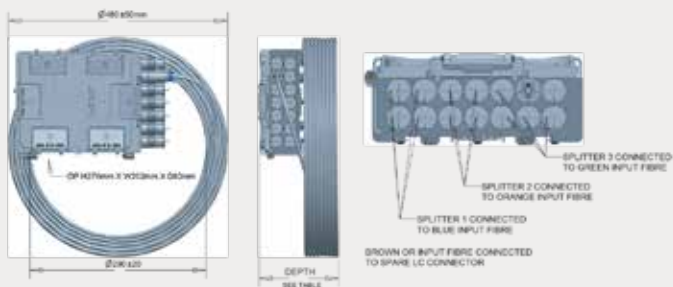
(without pre-stubbed feeder cable)

The information given herein, including the drawings, illustrations and schematics are intended for illustration purposes only and is believed reliable. However, STL makes no warranties to its accuracy or completeness and disclaims any liability in connection with its use. The obligations of STL shall be only set forth in STL's standard terms and conditions of sale and in no case shall STL be liable for any incidental, indirect or consequential damages arising from the sale, resale, use or misuse of the product.

Users of STL products should make their own evaluation to determine the suitability of each product for the specific application.

# STL CRS12 Pretailed Option

**TECHICAL FEATURES** 12x 1:4 PLC Splitters Included



Wavelength	1310 nm	1550 nm
Insertion Loss<150M	<7.70dB	<7.70dB
Insertion Loss<200M	<7.76dB	<7.76dB
Insertion Loss<300M	<7.79dB	<7.79dB
Insertion Loss<400M	<7.82dB	<7.82dB
Insertion Loss<500M	<7.85dB	<7.85dB
Back Reflection	<55.0dB	<55.0dB
Uniformity	<0.70dB	<0.70dB

## Ordering Information

Reference PN	Description	Tail Length Meters
FBR103100625M	12PORT-IP68TAILED-25	25
FBR103100650M	12PORT-IP68TAILED-50	50
FBR1031006100M	12PORT-IP68TAILED-100	100
FBR1031006150M	12PORT-IP68TAILED-150	150
FBR1031006200M	12PORT-IP68TAILED-200	200
FBR1031006250M	12PORT-IP68TAILED-250	250
FBR1031006300M	12PORT-IP68TAILED-300	300
FBR1031006350M	12PORT-IP68TAILED-350	350
FBR1031006500M	12PORT-IP68TAILED-500	500

## Packaging

Product Name	Packaging Type	Dimensions (mm)			Weight (kg)
		Width	Depth	Length	
STL CRS12-25	Carton Box	500	200	500	4
STL CRS12-50	Carton Box	500	220	500	5
STL CRS12-100	Carton Box	500	250	500	6.8
STL CRS12-150	Carton Box	500	280	500	8.7
STL CRS12-200	Carton Box	500	300	500	10.6
STL CRS12-250	Carton Box	500	330	500	12.5
STL CRS12-300	Carton Box	500	360	500	14.4
STL CRS12-350	Carton Box	500	380	500	16.3
STL CRS12-500	Carton Box	500	500	500	22

**For additional information please contact your sales representative.**

You can also visit our website at [www.stl.tech](http://www.stl.tech)

The information given herein, including drawings, illustrations and schematics are intended for illustration purposes only and is believed to be reliable. However, STL makes no warranties to its accuracy or completeness and disclaims any liability in connection with its use. STL obligations shall be only set forth in STL standard terms and conditions of the sale and in no case, STL be liable for any incidental, indirect or consequential damages arising out of sale, resale, use or misuse of the product. Users of STL products should make their own evaluation to determine the suitability of such each product for the specific application.

[www.stl.tech](http://www.stl.tech)

## MAIN PARTS DESCRIPTION

- ① Quad-lock sprung catches opening system.  
Latches can be opened using screwdriver or thin pliers.
- ② Left pivoting unlosable front cover
- ③ 2x Network ports and 12x IP68 Drop Cable Ports



- ④ 3x splitters holders 4x7x50 mm
- ⑤ Slack storage of splitters output leads



- ⑥ Splices feeder input fibres to feeder pigtails (4x)
- ⑦ Input mating (3x PLC inputs with feeder fibres pigtails)  
(one back-up feeder pigtail monitor test available)



- ⑧ Lockable clamp for more security in the field



The information given herein, including the drawings, illustrations and schematics are intended for illustration purposes only and is believed reliable. However, STL makes no warranties to its accuracy or completeness and disclaims any liability in connection with its use. The obligations of STL shall be only set forth in STL's standard terms and conditions of sale and in no case shall STL be liable for any incidental, indirect or consequential damages arising from the sale, resale, use or misuse of the product.

Users of STL products should make their own evaluation to determine the suitability of each product for the specific application.

## INSTALLATION FEATURES

- Easy assembly of the feeder sealing 7 mm microduct for feeder EPFU.  
(a suitable 7 mm gas block is needed just before the inlet)



- Coloured outlets for fast and secure selection of the port.



- Easy-to-plug LC/apc termination (precon or field installable)



The information given herein, including the drawings, illustrations and schematics are intended for illustration purposes only and is believed reliable. However, STL makes no warranties to its accuracy or completeness and disclaims any liability in connection with its use. The obligations of STL shall be only set forth in STL's standard terms and conditions of sale and in no case shall STL be liable for any incidental, indirect or consequential damages arising from the sale, resale, use or misuse of the product.

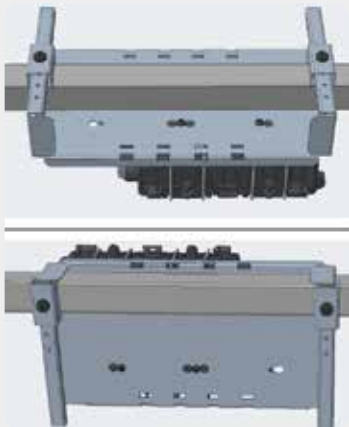
Users of STL products should make their own evaluation to determine the suitability of each product for the specific application.

## CHAMBER MOUNTING

Chamber mounting bracket is used to fix the CRS closure to the mobra arm.

The fixation is made sliding the bracket assembly onto Unistrut and tighten once in position.

Face down or left and right options are available.

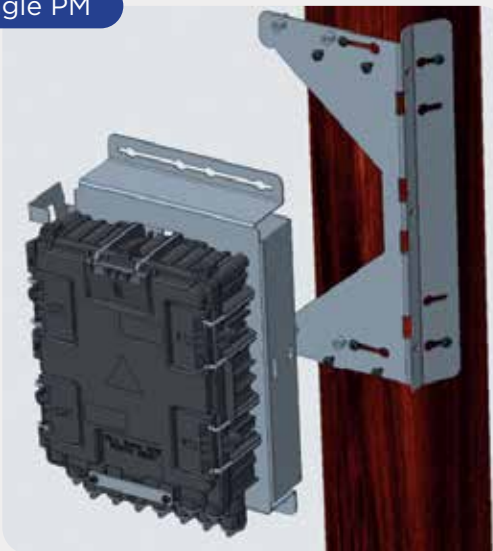


## POLE MOUNTINGS

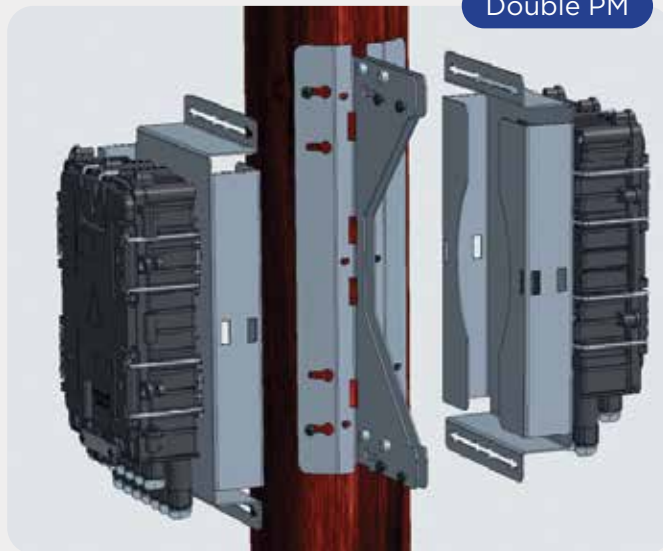
Pole Mounting brackets are designed to fix firmly the CRS closure and to allow a quick and easy removal.

The brackets system has a dedicated area on the back of the closure for the slack storing.

Single PM



Double PM



The information given herein, including the drawings, illustrations and schematics are intended for illustration purposes only and is believed reliable. However, STL makes no warranties to its accuracy or completeness and disclaims any liability in connection with its use. The obligations of STL shall be only set forth in STL's standard terms and conditions of sale and in no case shall STL be liable for any incidental, indirect or consequential damages arising from the sale, resale, use or misuse of the product.

Users of STL products should make their own evaluation to determine the suitability of each product for the specific application.