

Max

Fibre Splice Closure



STL Max closures are designed specifically for FTTH network deployment. This range of closures represents a modern approach to cable termination and splicing, aimed at streamlining installation processes and reducing space requirements (Max 4 or Max 6 Liters volumes).

MAX closures are environmentally sealed, single-ended "dome-type" closures for fibre management systems, offering splicing and passive component integration functions for outdoor installations. They are compatible with micro-sheath and loose tubes cables, accommodating various cable diameters. The base and the dome of the closure are sealed using a quad-lock clamp-gasket system. The MAX project is inherently compliant with FTTH requirements and safety standards, including overpressure safety requests.

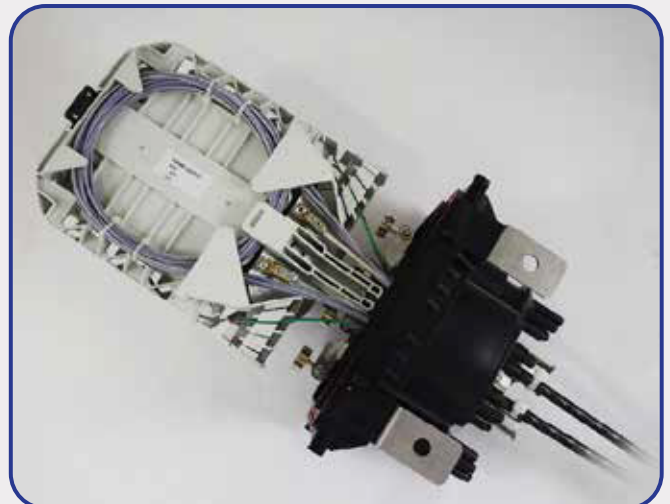
Each closure includes one oval entry port for looped (uncut) cable and four round ports for drop cable entry/exit. The cable entries are designed for cold application kits, requiring no flame and accepting different diameter cables. Additionally, there is storage space for uncut midspan tubes available on the back of the stack.

TECHNICAL FEATURES

- Innovative range of compact optical fibre closures for 144F and 288F in 4 and 6 litres volume respectively.
- Compatible with ITU-T G.652 and G.657 fibres
- Ease of installation with 1 oval port and 4 round ports with cold applied kits for cable with 5-20 mm and 2.5 - 20 mm diameter respectively
- Dedicated area and rotatable tube retention lips for uncut fibres for ease of fibre management
- User friendly and tool less latch closing system QUADlock for easy installation
- Suitable for heat-shrinkable or mechanical splice protectors
- IP68 and IK10 rated to ensure high reliability
- Operating temperature - 40°C to up to +70°C
- ROHS and Eco friendly

APPLICATIONS

- FTTX networks
- Aerial, pedestal, underground environments



Small Closures, Big Heart

Rotatable tube retention lips for uncut fibre management

Discover the ultimate solution with MAX closures – your all-in-one storage solution!

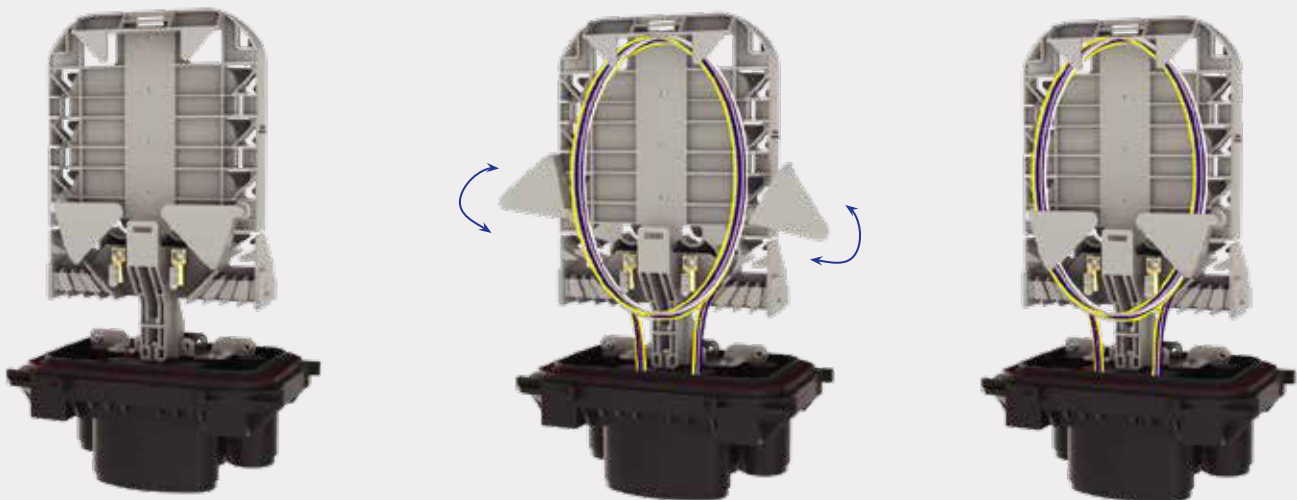
Developed with invaluable input from installers around the globe, our focus is on addressing their key concerns, especially midspan cable module storage.

We understand that Protection, Easy-to-Use, and Easy-to-Maintain features are crucial for the operations. Issues with these modules can lead to costly delays in disaster recovery operations.

That's why STL has patented a new, reliable, compact, and fast method for storing pass-through cable modules based on your feedback.

The STL Max closure boasts an ergonomic design, featuring a dedicated area and rotatable tube retention lips for uncut fibers, ensuring seamless fiber management.

With MAX closures, cable looping transitions from being a hassle to being a breeze. Max closures offers a new level of efficiency and ease in your operations.



STORAGE	Loose Tube 2.3mm MODULES	MICRO DUCT 1.65mm MODULES	MICROMODULE 1.3mm MODULES
MAX 4	4x (200cm)	8x (200cm)	24x (200cm)
MAX 6	6x (220cm)	8x (250cm)	24x (250cm)

Installation Methods

STL Max closure offers a new method to secure closures to walls and poles, making installation and maintenance easier. A compact bracket is permanently fixed to the wall (using anchoring clamps), the pole (using a metal band wrap, available separately), or the manhole arm (using a separate kit). The closure is then mounted onto the bracket using two secured split pins.

This installation method ensures secure attachment in various environmental and mechanical conditions, allowing for swift removal during maintenance and upgrades. For heavy-duty cables, multiple drop cables, and/or microducts, an external bracket is recommended for attachment.

Pole



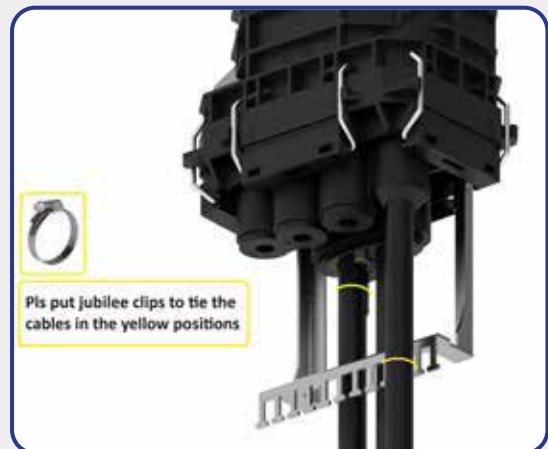
Wall



Using Mobra Arm



Using External Cable Fixing Plate



ORDERING INFORMATION

MAX	4	BASIC	NN
SERIES NAME	VOLUME IN LITRES	CONFIGURATION	TYPE
MAX	4	BASIC (Customized version available)	NN = with valve
	6		NV = without valve

It is possible to install our SAMR-HD, high density splice array modules in every max closure. Choose your SAMR-HD splice module.

MAX4

UP TO 2 SAMR SPLICE REDUCED MODULES



HEIGHT 240 mm
WIDTH 210 mm
DEPTH 145 mm

MAX6

UP TO 4 SAMR SPLICE REDUCED MODULES



HEIGHT 312 mm
WIDTH 210 mm
DEPTH 145 mm

PACKAGING

PRODUCT NAME	PACKAGING TYPE	DIMENSIONS (MM)			GROSS WEIGHT (KG.)
		WIDTH	DEPTH	HEIGHT	
MAX4-X-XXX-XXX	Carton Box	252	151	353	3.5
MAX6-X-XXX-XXX	Carton Box	252	151	353	4.5

Cold Sealing

CCSO-CCSR

KIT CODE AND PICTURE	SEALING TYPE	CABLE MANAGEMENT CAPACITY	
		MAX CABLE NO.	CABLE Ø RANGE MIN-MAX
MAXSEALKIT -CCSO-2x20 	OVAL COLD SEALING	2	10-20 mm
MAXSEALKIT -CCSO-2x14 	OVAL COLD SEALING	2	10-14 mm
MAXSEALKIT -CCSO-4x10 	OVAL COLD SEALING	4	5-10 mm
MAXSEALKIT -CCSR-1x20 	ROUND COLD SEALING	1	15-20 mm
MAXSEALKIT -CCSR-1x14 	ROUND COLD SEALING	1	10-14 mm
MAXSEALKIT -CCSR-2x12 	ROUND COLD SEALING	2	8-12 mm
MAXSEALKIT -CCSR-4x10 	ROUND COLD SEALING	4	7-10 mm
MAXSEALKIT -CCSR-6x8 	ROUND COLD SEALING	6	7-8.6 mm
MAXSEALKIT -CCSR-8x6 	ROUND COLD SEALING	8	4-6.4 mm
MAXSEALKIT -CCSR-16x3 	ROUND COLD SEALING	16	0-3 mm
MAXSEALKIT -CCSR-4xR95 	ROUND COLD SEALING	4	FLAT CABLES 8.5-7 mm 5-4 mm

02/032024

For additional information please contact your sales representative.

You can also visit our website at www.stl.tech

The information given herein, including the drawings, illustrations and schematics are intended for illustration purposes only and is believed reliable. However, STL makes no warranties to its accuracy or completeness and disclaims any liability in connection with its use. The obligations of STL shall be only set forth in STL's standard terms and conditions of sale and in no case shall STL be liable for any incidental, indirect or consequential damages arising from the sale, resale, use or misuse of the product.

Users of STL products should make their own evaluation to determine the suitability of each product for the specific application.

www.stl.tech