

OptoFit

Fibre Terminal Closure



STL OptoFit is a compact and versatile fibre terminal closure specifically designed for FTTH networks. It offers IP68 2m environmental protection, IK08 impact protection, UV resistance, UL94 flame resistance in a ≤ 2.3 litres volume. This closure can be installed in underground chambers, mounted on poles or attached to building facades.

This patch & splice closure allows for installation in both in-line (with cable entry/exit from opposite sides, suitable for façade deployments) and butt configuration (with cable entry/exit on the same side, perfect for handholes and pole installations). The closure is optimized to manage micro module cables like the STL YogaLight. The OptoFit terminal is suitable for activating up to 8 (SC/APC) subscribers and enables selective access during reopening, processing, and maintenance activities without affecting the active lines.

OptoFit is designed to splice and protect either one spliced module of the feeder cables to pigtails or up to 96 fibres of the feeder cable in case of cable changes (from facade-to-underground or aerial-to-underground) and for disaster recovery (trunk application)

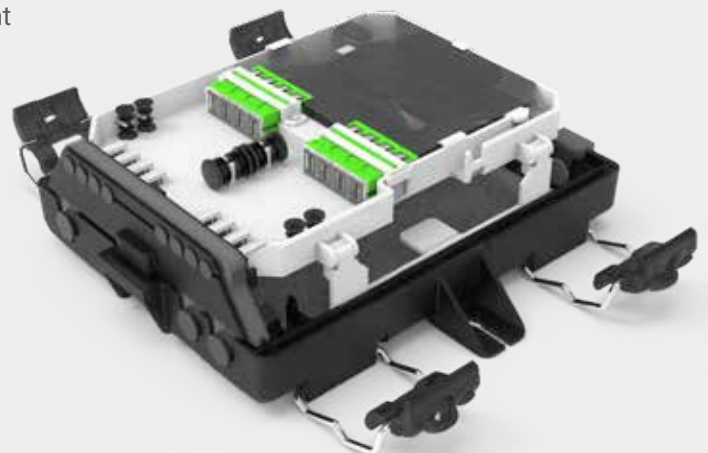
Each closure includes 1+1 inlets for looped (uncut) cable, 1+2 entries for drops cables and up to eight ports for pre connectorized drop cables.

TECHNICAL FEATURES

- Innovative compact optical fibre closures for 8 SC termination or up to 96f splices
- Compliant with EN-50411-2-10 standard for sealing closures used in FTTH optical distribution networks
- Manage micromodule feeder and branched cables 7-11mm and drops 3-6mm
- User friendly and toolless latch closing system for easy access
- Different optional splice cassettes modules available up to 96f (4 trays of 24 splice each)
- IP68 and IK08 rated to ensure high durability
- Direct wall fixation to wall and to metal strap pole mount
- Operating temperature - 25°C to up to +70°C

APPLICATIONS

- FTTH networks
- Façade, aerial, underground environments

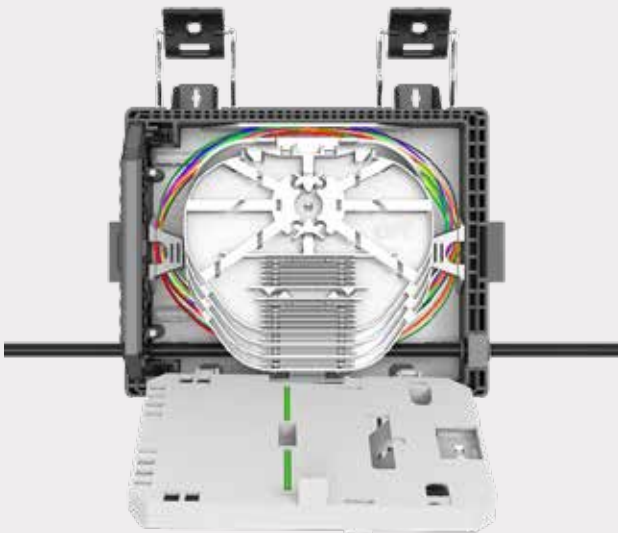
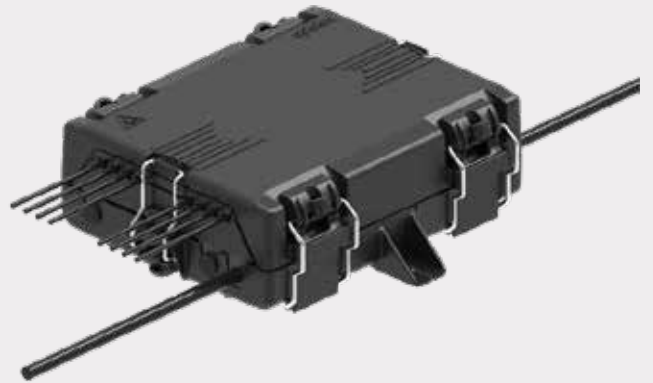


Fit All Your Needs

One Closure, Multiple Applications

Terminal Closure

OptoFit perfectly manages looped feeder cables (micromodule) or retractable cables, branched drops and connect up to 8 subscribers via single fibre pre connectorized cables (SC APC as standard connector).



Splice Trunk Closure

It is possible to increase the closure splice capacity up to four cassettes of 24 splices each by an additional cassette module to be integrated into the base. This feature transforms the OptoFit into a 96f splice enclosure.

Branching Closure

Aside of the 8 drop cables, OptoFit allows to splice and branch up to two additional cables to feed two remote satellite terminals



DIMENSIONS

LENGTH 210 mm
 WIDTH 160 mm
 DEPTH 70 mm



WIDTH



LENGTH



DEPTH

PRODUCT SPECIFICATION

PARAMETER	VALUE
Max adapter/pigtails capacity	8 flangeless SC/APC Simplex Grade B (typical IL 0.15 dB)
Max additional splice capacity	4x 24f trays – up to 96f
IP Protection rating	IP 68
Impact rating	IK 08
Flame resistance	UL-94 HB
UV resistance	EN ISO 4892-2 (Method A)
Material	PP, PC/ABS, PA6
Weight	1 Kg

ORDERING INFORMATION

REFERENCE PART NUMBER	DESCRIPTION
OptoFit-POC96-8	Basic closure kit with 8 SC/apc adapters and pigtails
SAMr-HD4-24H	Splice Module with 4 cassettes 24f HS splice holders each
Opt-Fit-Cable Bracket	Additional cable bracket for pole/manhole cable fixation



PACKAGING INFORMATION

REFERENCE PART NUMBER	PACKAGING TYPE	LENGTH	WIDTH	DEPTH
OptoFit-POC96-8	Cardboard Box	250mm	210mm	80mm

01/042024

For additional information please contact your sales representative.

You can also visit our website at www.stl.tech

The information given herein, including the drawings, illustrations and schematics are intended for illustration purposes only and is believed reliable. However, STL makes no warranties to its accuracy or completeness and disclaims any liability in connection with its use. The obligations of STL shall be only set forth in STL's standard terms and conditions of sale and in no case shall STL be liable for any incidental, indirect or consequential damages arising from the sale, resale, use or misuse of the product.

Users of STL products should make their own evaluation to determine the suitability of each product for the specific application.