



12 Port IP68 DP

STL 12 Port DP is an IP68 (2m) enclosure with capacity for 12 IP68 fibre drop connections were located underground in a chamber or pole mounted

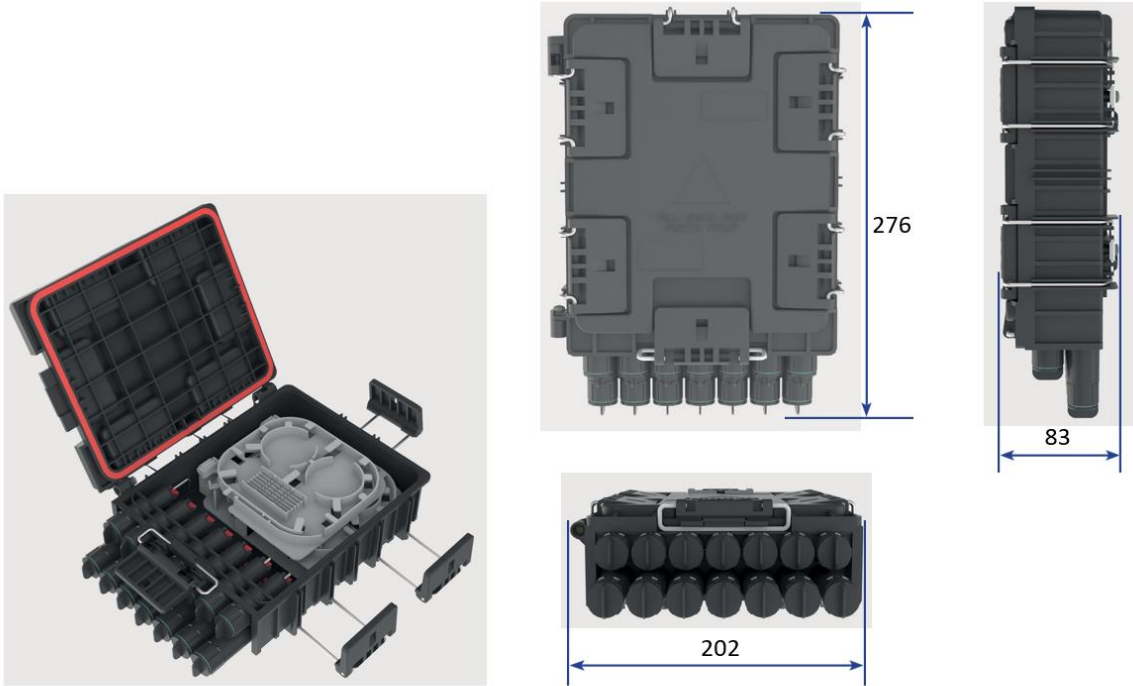
The DP is compatible with the STL CRS (Connector Ruggedized System), which is suitable for use with LC/APC blown fiber connectors from Ridgmount.

KEY FEATURES AND BENEFITS

- IP68 to a depth of 2m
- Splitter configuration options to enable 12 drops (e.g. 3 X 1:4 splitter).
- Dimensions (276 x 202 x 83mm)
- 2x Network Ports for use with 7 mm Micro-duct and up to 12 Fibre Bundle.
- 12x Customer Drop designed for use with pre-connectorized drop cables - LC/APC connectors.

The information given herein, including drawings, illustrations and schematics are intended for illustration purposes only and is believed to be reliable. However, STL makes no warranties to its accuracy or completeness and disclaims any liability in connection with its use. STL obligations shall be only set forth in STL standard terms and conditions of the sale and in no case, STL be liable for any incidental, indirect or consequential damages arising out of sale, resale, use or misuse of the product. Users of STL products should make their own evaluation to determine the suitability of such each product for the specific application.

DIMENSIONS (mm)



ORDERING INFORMATION

| REFERENCE PN | DESCRIPTION |
|--------------------|---|
| FKFOFCACPL00X2LA00 | 1 x Opto-CRS Closure with 3# 1:4 Splitter |
| | |

PACKAGING

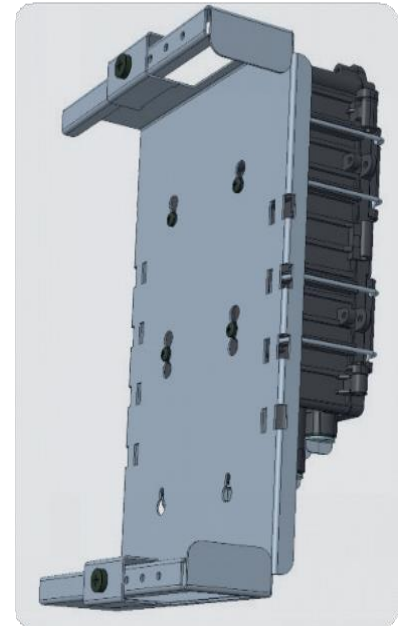
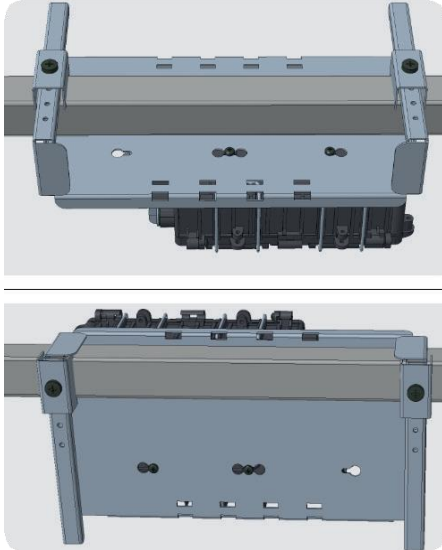
| PRODUCT NAME | PACKAGING TYPE | DIMENSIONS (MM) | | | GROSS WEIGHT (KG.) |
|---------------------|----------------|-----------------|-------|--------|--------------------|
| | | WIDTH | DEPTH | HEIGHT | |
| STL OPTOTEC - CRS12 | Carton Box | 220 | 90 | 350 | ~2.2 |

(without pre-stubbed feeder cable)

The information given herein, including drawings, illustrations and schematics are intended for illustration purposes only and is believed to be reliable. However, STL makes no warranties to its accuracy or completeness and disclaims any liability in connection with its use. STL obligations shall be only set forth in STL standard terms and conditions of the sale and in no case, STL be liable for any incidental, indirect or consequential damages arising out of sale, resale, use or misuse of the product. Users of STL products should make their own evaluation to determine the suitability of such each product for the specific application.

Chamber mounting

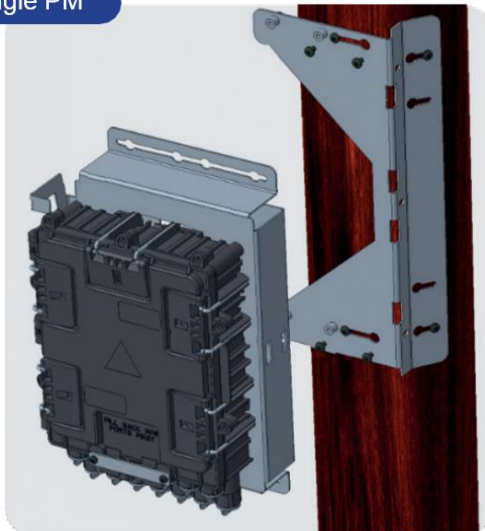
The DP shall be mounted on a Mobra arm and Bracket (supplied by Eurocraft)



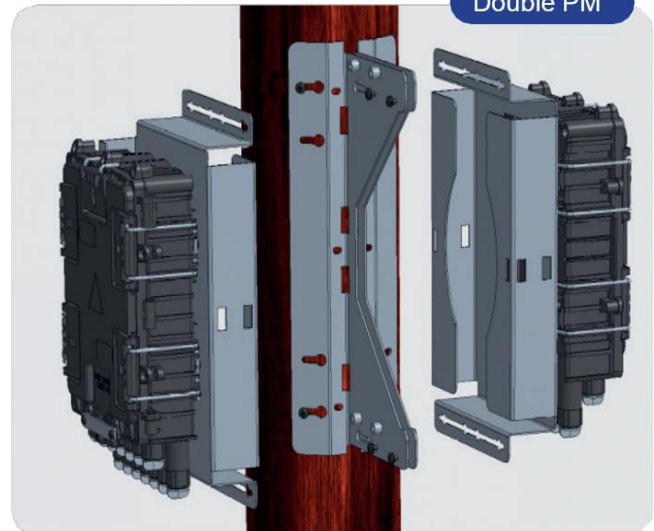
Pole Mounting

The DP shall be mounted on a double or single pole mounting bracket. (Supplied by Eurocraft)

Single PM



Double PM



The information given herein, including drawings, illustrations and schematics are intended for illustration purposes only and is believed to be reliable. However, STL makes no warranties to its accuracy or completeness and disclaims any liability in connection with its use. STL obligations shall be only set forth in STL standard terms and conditions of the sale and in no case, STL be liable for any incidental, indirect or consequential damages arising out of sale, resale, use or misuse of the product. Users of STL products should make their own evaluation to determine the suitability of such each product for the specific application.