



12 Port IP68 DP Pre-Tailed

STL 12 Port DP is an IP68 (2m) enclosure with capacity for 12 IP68 fibre drop connections were located underground in a chamber or pole mounted

The DP is compatible with the STL CRS (Connector Ruggedized System), which is suitable for use with LC/APC blown fiber connectors from Ridgmount.

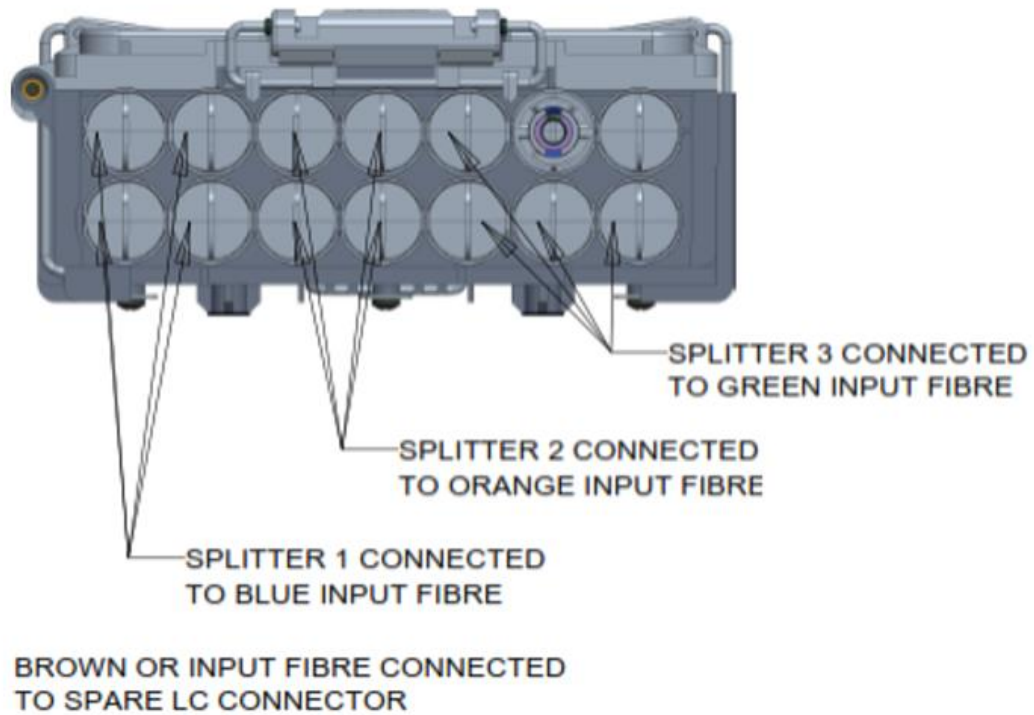
KEY FEATURES AND BENEFITS

- IP68 to a depth of 2m
- Splitter configuration options to enable 12 drops (e.g. 3 X 1:4 splitter).
- Dimensions (276 x 202 x 83mm)
- 2x Network Ports for use with 7 mm Micro-duct and up to 12 Fibre Bundle.
- 12x Customer Drop designed for use with pre-connectorized drop cables - LC/APC connectors.

The information given herein, including drawings, illustrations and schematics are intended for illustration purposes only and is believed to be reliable. However, STL makes no warranties to its accuracy or completeness and disclaims any liability in connection with its use. STL obligations shall be only set forth in STL standard terms and conditions of the sale and in no case, STL be liable for any incidental, indirect or consequential damages arising out of sale, resale, use or misuse of the product. Users of STL products should make their own evaluation to determine the suitability of such each product for the specific application.

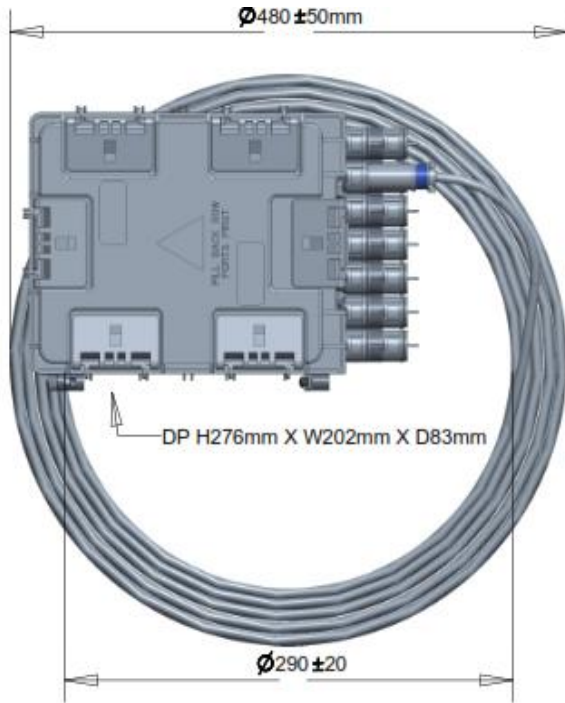
TECHNICAL INFORMATION

WAVELENGTH	1310mm	1550mm
INSERTION LOSS<150M	<7.70dB	<7.70dB
INSERTION LOSS<200M	<7.76dB	<7.76dB
INSERTION LOSS<300M	<7.79dB	<7.79dB
INSERTION LOSS<400M	<7.82dB	<7.82dB
INSERTION LOSS<500M	<7.85dB	<7.85dB
BACK REFLECTION	<55.0dB	<55.0dB
UNIFORMITY	<0.70dB	<0.70dB



The information given herein, including drawings, illustrations and schematics are intended for illustration purposes only and is believed to be reliable. However, STL makes no warranties to its accuracy or completeness and disclaims any liability in connection with its use. STL obligations shall be only set forth in STL standard terms and conditions of the sale and in no case, STL be liable for any incidental, indirect or consequential damages arising out of sale, resale, use or misuse of the product. Users of STL products should make their own evaluation to determine the suitability of such each product for the specific application.

Dimensions



PRODUCT NAME	PACKAGING TYPE	DIMENSIONS (MM)			WEIGHT (Kg.)
		WIDTH	DEPTH	LENGTH	
STL-OPTOTEC CRS12-25	Carton Box	500	200	500	4
STL-OPTOTEC CRS12-50	Carton Box	500	220	500	5
STL-OPTOTEC CRS12-100	Carton Box	500	250	500	6.8
STL-OPTOTEC CRS12-150	Carton Box	500	280	500	8.7
STL-OPTOTEC CRS12-200	Carton Box	500	300	500	10.6
STL-OPTOTEC CRS12-250	Carton Box	500	330	500	12.5
STL-OPTOTEC CRS12-300	Carton Box	500	360	500	14.4
STL-OPTOTEC CRS12-350	Carton Box	500	380	500	16.3
STL-OPTOTEC CRS12-500	Carton Box	500	500	500	22

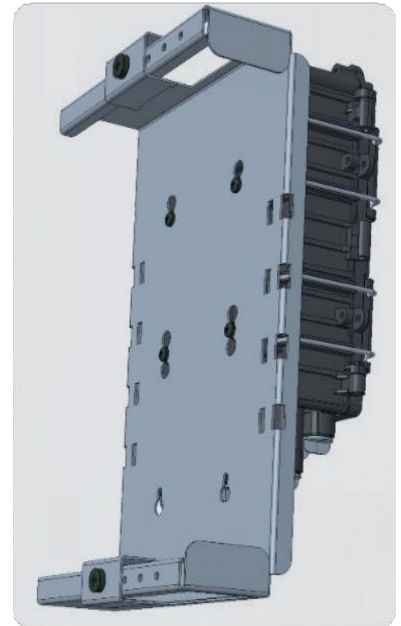
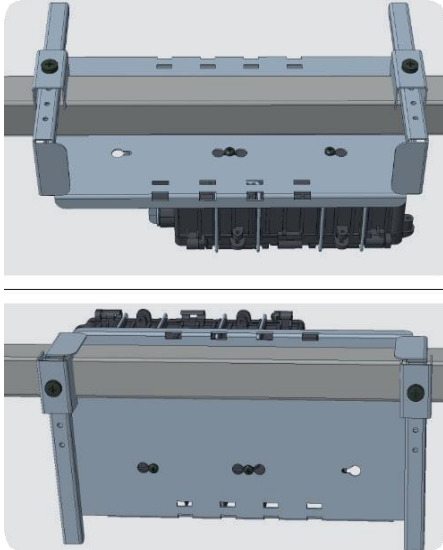
Ordering Information

REFERENCE PN	DESCRIPTION	TAIL LENGTH Meters
FBR103100625M	12PORT-IP68TAILED-25	25
FBR103100650M	12PORT-IP68TAILED-50	50
FBR1031006100M	12PORT-IP68TAILED-100	100
FBR1031006150M	12PORT-IP68TAILED-150	150
FBR1031006200M	12PORT-IP68TAILED-200	200
FBR1031006250M	12PORT-IP68TAILED-250	250
FBR1031006300M	12PORT-IP68TAILED-300	300
FBR1031006350M	12PORT-IP68TAILED-350	350
FBR10310065000M	12PORT-IP68TAILED-500	500

The information given herein, including drawings, illustrations and schematics are intended for illustration purposes only and is believed to be reliable. However, STL makes no warranties to its accuracy or completeness and disclaims any liability in connection with its use. STL obligations shall be only set forth in STL standard terms and conditions of the sale and in no case, STL be liable for any incidental, indirect or consequential damages arising out of sale, resale, use or misuse of the product. Users of STL products should make their own evaluation to determine the suitability of such each product for the specific application.

Chamber mounting

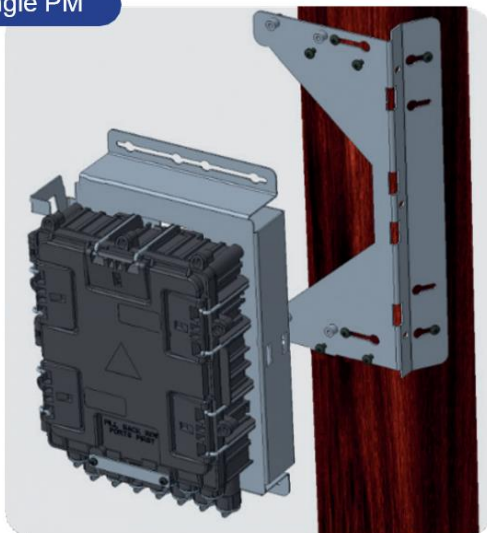
The DP shall be mounted on a Mobra arm and Bracket (supplied by Eurocraft)



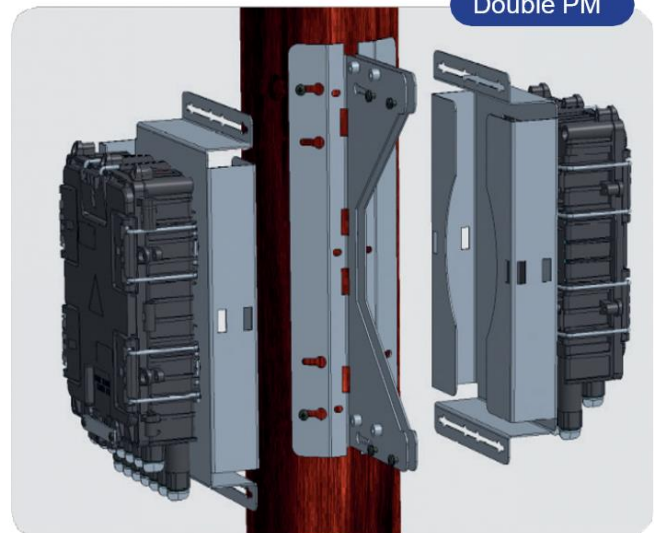
Pole Mounting

The DP shall be mounted on a double or single pole mounting bracket. (Supplied by Eurocraft)

Single PM



Double PM



The information given herein, including drawings, illustrations and schematics are intended for illustration purposes only and is believed to be reliable. However, STL makes no warranties to its accuracy or completeness and disclaims any liability in connection with its use. STL obligations shall be only set forth in STL standard terms and conditions of the sale and in no case, STL be liable for any incidental, indirect or consequential damages arising out of sale, resale, use or misuse of the product. Users of STL products should make their own evaluation to determine the suitability of such each product for the specific application.