

48 Port IP68 DP (1x4 Splitter Version)

STL 48 Port DP is an IP68 (2m) enclosure with capacity for 48 IP68 fibre drop connections were located underground in a chamber. Not suitable for ariel installations.

The DP is compatible with the STL CRS (Connector Ruggedized System), which is suitable for use with LC/APC blown fiber connectors from Ridgemount.

The closures flexible tail design allows easy connection of drop cables inside compact manholes in a very small fibre closure footprint (276x202x83mm)

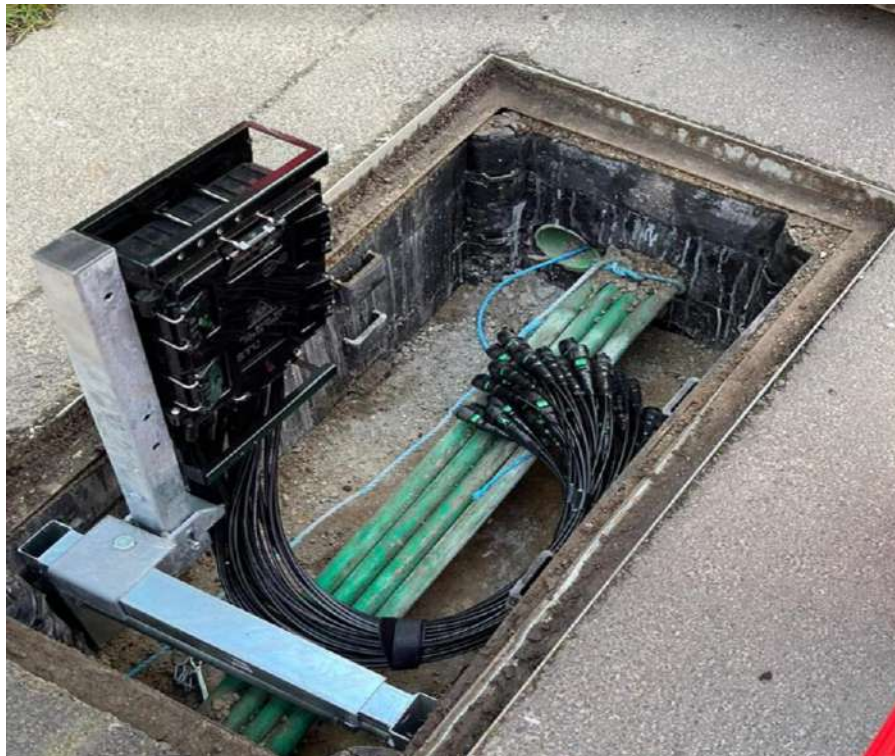
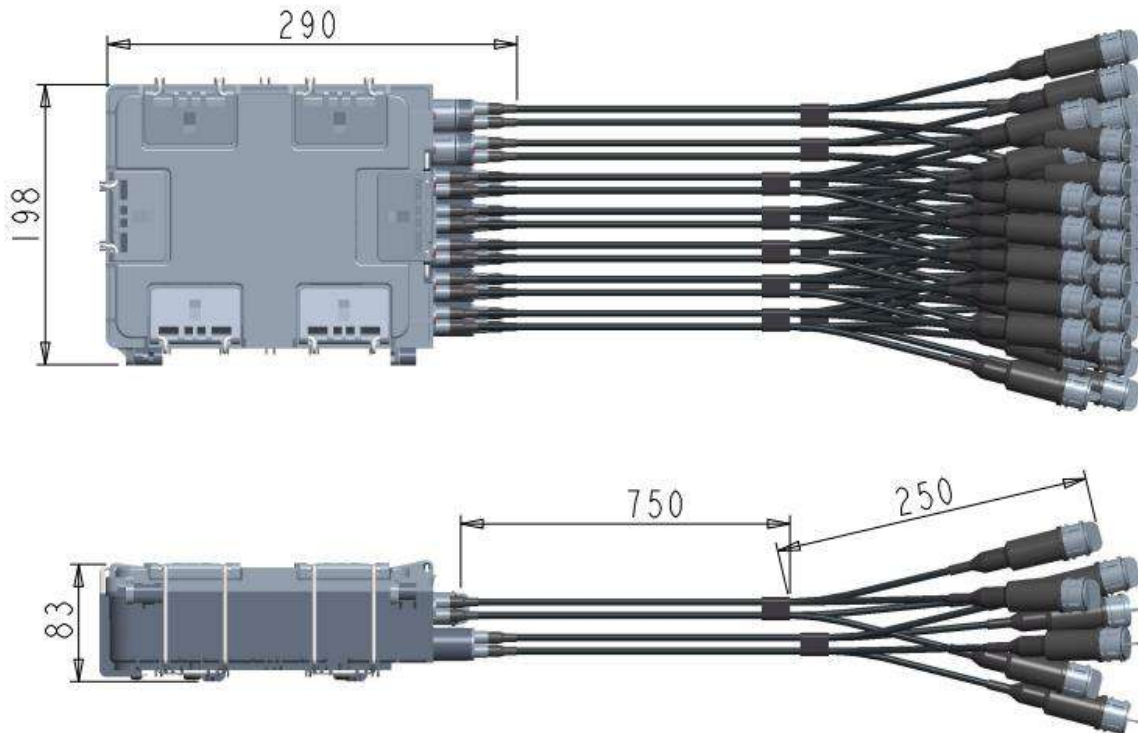


Technical Information

- IP68 to a Depth of 2 Metres.
- 1x4 Splitter Configuration – 12x Single Fibre LC/APC Drop Connections.
- Enclosure Dimensions - 290 x 198 x 83mm.
- Compatible with all VM Approved Pre-Loaded Drop Cables.
- 2x Network Ports – For Use With 7mm Micro-Duct.
- 48x Customer Drop Ports – Tail Length = 1 metre.
- Operating temperature: -30°C to +60°C

The information given herein, including drawings, illustrations and schematics are intended for illustration purposes only and is believed to be reliable. However, STL makes no warranties to its accuracy or completeness and disclaims any liability in connection with its use. STL obligations shall be only set forth in STL standard terms and conditions of the sale and in no case, STL be liable for any incidental, indirect or consequential damages arising out of sale, resale, use or misuse of the product. Users of STL products should make their own evaluation to determine the suitability of such each product for the specific application.

Dimensions



The information given herein, including drawings, illustrations and schematics are intended for illustration purposes only and is believed to be reliable. However, STL makes no warranties to its accuracy or completeness and disclaims any liability in connection with its use. STL obligations shall be only set forth in STL standard terms and conditions of the sale and in no case, STL be liable for any incidental, indirect or consequential damages arising out of sale, resale, use or misuse of the product. Users of STL products should make their own evaluation to determine the suitability of such each product for the specific application.

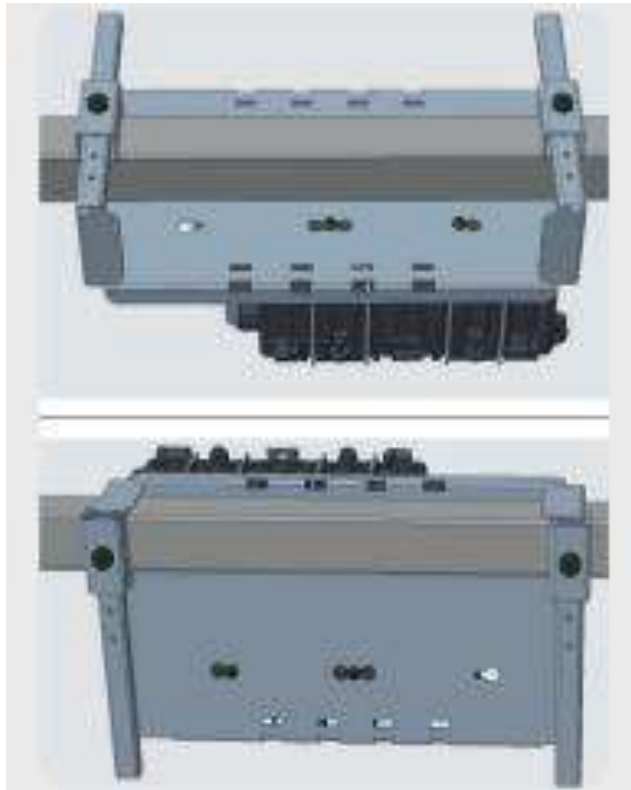
PART NUMBER

REFERENCE PN	DESCRIPTION
FBR10306061.5M	OPTO-CRS 48Port with 12 x 1:4 Splitter

PACKAGING

PRODUCT NAME	TYPE	WITDH	DEPTH	HEIGHT	WEIGHT
OPTOTEC – CRS -48	Carton Box	800mm	400mm	100mm	5Kg

The DP shall be mounted on a Mobra Arm and Bracket. (Supplied by Eurocraft)



The information given herein, including drawings, illustrations and schematics are intended for illustration purposes only and is believed to be reliable. However, STL makes no warranties to its accuracy or completeness and disclaims any liability in connection with its use. STL obligations shall be only set forth in STL standard terms and conditions of the sale and in no case, STL be liable for any incidental, indirect or consequential damages arising out of sale, resale, use or misuse of the product. Users of STL products should make their own evaluation to determine the suitability of such each product for the specific application.