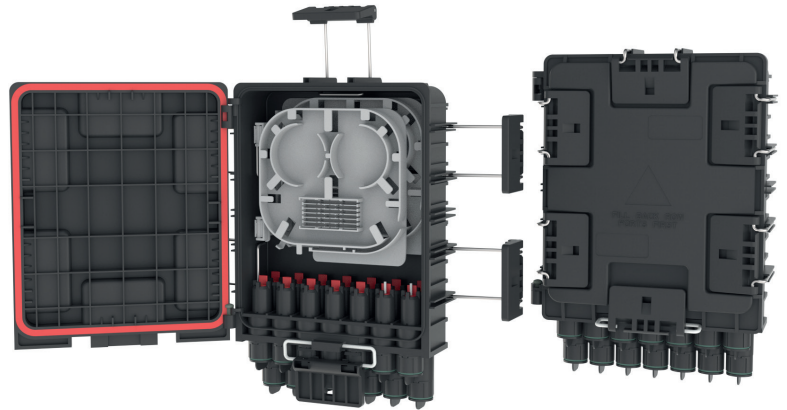




optotec CRS

Closure



STL Optotec CRS is an IP68 (2 m) Enclosure with 2x Network ports and 12x IP68 Drop Cable Ports and Connector Ruggedised System for use in Underground and Aerial networks (PIA Networks). CRS (Connector Ruggedised System) is suitable for pre-terminated and field installable LC/apc blowing fiber connectors which expedite the deployment of optical networks guaranteeing a perfect sealing to the enclosure.

STL Optotec CRS is a plug and play customer connection terminal to connect premises with a 7mm mini tube/duct with a pre-loaded field blowable ferrule (LC). The CRS can hold splitters as a secondary splitter node and can be delivered pre-tailed from the factory for even faster field deployments.

APPLICATIONS

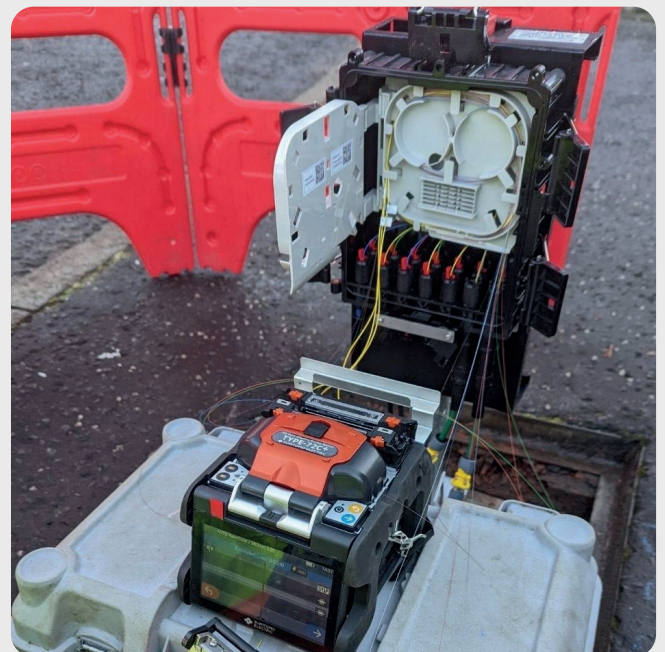
- Butt-end closure for GPON distribution
- Termination point for microducts with drop blowing fibre connectors

KEY FEATURES AND BENEFITS

- IP68 approved, even if the port is left open.
- Splitter configuration options to enable 12 drops (e.g. 3 X 1:4 splitter).
- Compact dimensions (276 x 202 x 83mm) ideal for congested pits
- Protection connector cover can be factory fitted to LC simplex connectorised cable or retro fitted on site.
- Works with Emtelle[®] Fibre Flow system.
- 2x Network Ports for use with 7 mm Micro-duct and up to 12 Fibre Bundle.
- 12x Customer Drop Ports designed for use with pre-connectorised drop cables - LC/APC connectors.
- Network cable - Hard Spliced to Splitters Tails.
- Network cable can be pre-connectorised.

INSTALLATIONS

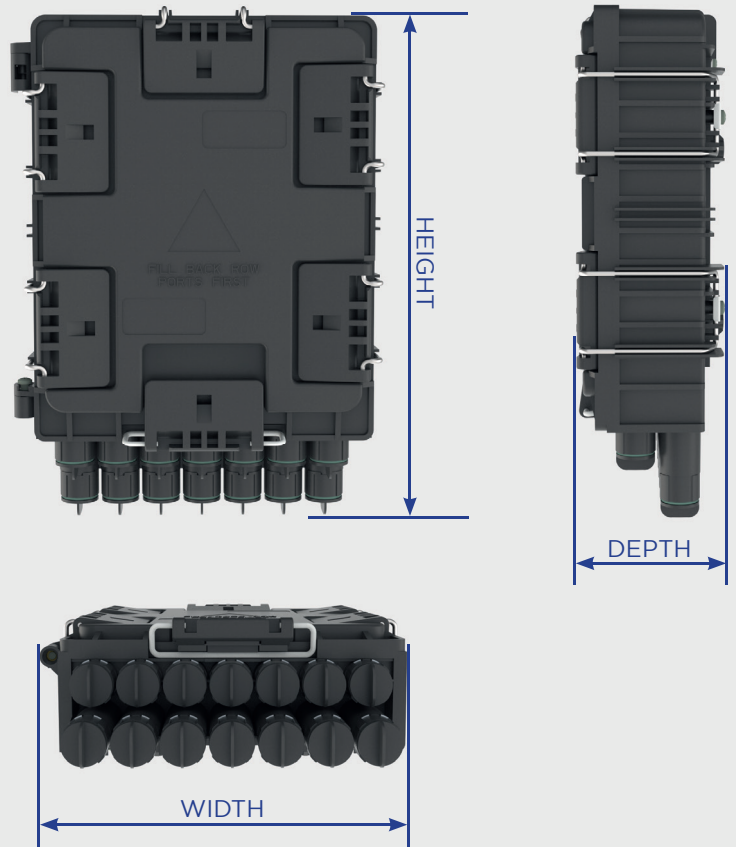
- Underground chambers and manholes
- Chamber mount and single or double pole mount



DIMENSIONS

HEIGHT 276 mm
 WIDTH 202 mm
 DEPTH 83 mm

HEIGHT WITH DROPS 324 mm



ORDERING INFORMATION

| REFERENCE PN | DESCRIPTION |
|--------------------|--|
| FKFOFCACPL00X2LA00 | 1 x Opto-CRS Closure with 3# 1:4 Splitter |
| FKFOFCACPL00X2XX00 | 1 x Opto-CRS Closure (including 2 x Network Ports) |
| TERMBOXPC012 | 2 x Splice Tray |
| TERMBOXPC011 | 1 x Fibre Storage |
| TERMBOXPC010 | 3 x 1:4 Splitters LC/APC |

PACKAGING

| PRODUCT NAME | PACKAGING TYPE | DIMENSIONS (MM) | | | GROSS WEIGHT (KG.) |
|---------------|----------------|-----------------|-------|--------|--------------------|
| | | WIDTH | DEPTH | HEIGHT | |
| OPTOTEC - CRS | Carton Box | 220 | 90 | 350 | ~2.2 |

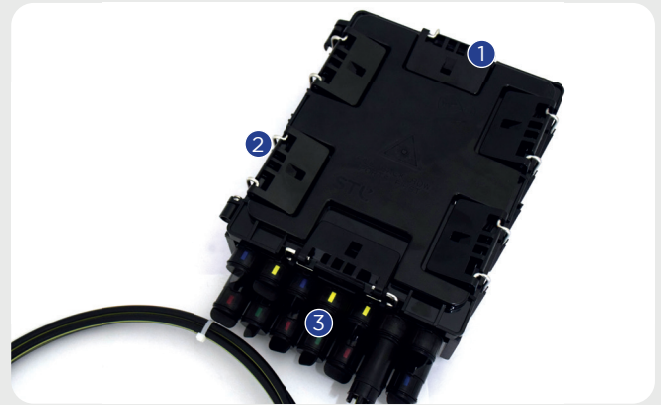
(without pre-stubbed feeder cable)

The information given herein, including the drawings, illustrations and schematics are intended for illustration purposes only and is believed reliable. However, STL makes no warranties to its accuracy or completeness and disclaims any liability in connection with its use. The obligations of STL shall be only set forth in STL's standard terms and conditions of sale and in no case shall STL be liable for any incidental, indirect or consequential damages arising from the sale, resale, use or misuse of the product.

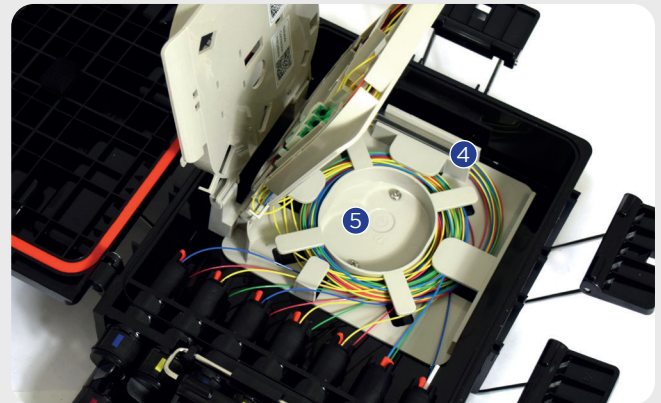
Users of STL products should make their own evaluation to determine the suitability of each product for the specific application.

MAIN PARTS DESCRIPTION

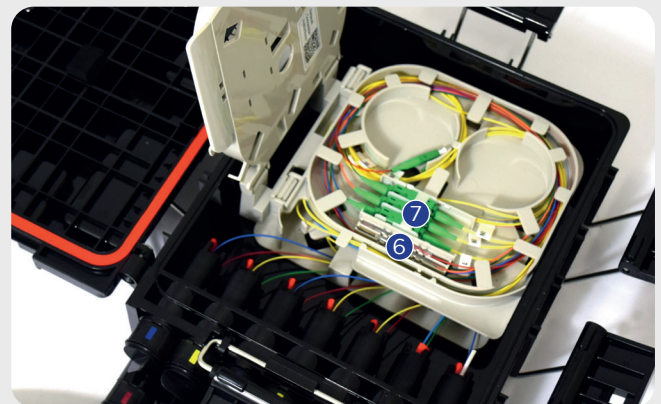
- ① Quad-lock sprung catches opening system.
Latches can be opened using screwdriver or thin pliers.
- ② Left pivoting unlosable front cover
- ③ 2x Network ports and 12x IP68 Drop Cable Ports



- ④ 3x splitters holders 4x7x50 mm
- ⑤ Slack storage of splitters output leads



- ⑥ Splices feeder input fibres to feeder pigtails (4x)
- ⑦ Input mating (3x PLC inputs with feeder fibres pigtails)
(one back-up feeder pigtail monitor test available)



- ⑧ Lockable clamp for more security in the field



The information given herein, including the drawings, illustrations and schematics are intended for illustration purposes only and is believed reliable. However, STL makes no warranties to its accuracy or completeness and disclaims any liability in connection with its use. The obligations of STL shall be only set forth in STL's standard terms and conditions of sale and in no case shall STL be liable for any incidental, indirect or consequential damages arising from the sale, resale, use or misuse of the product.

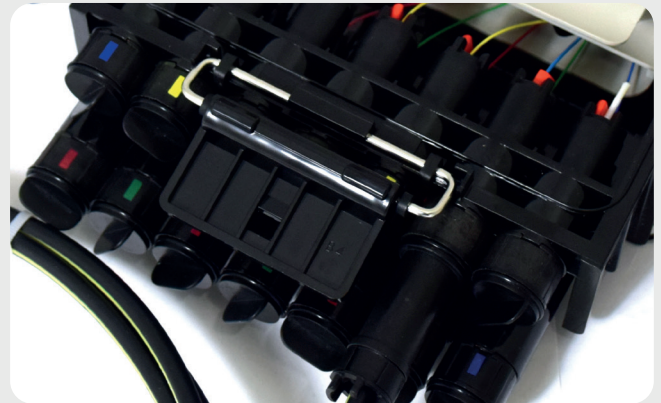
Users of STL products should make their own evaluation to determine the suitability of each product for the specific application.

INSTALLATION FEATURES

- Easy assembly of the feeder sealing 7 mm microduct for feeder EPFU.
(a suitable 7 mm gas block is needed just before the inlet)



- Coloured outlets for fast and secure selection of the port.



- Easy-to-plug LC/apc termination (precon or field installable)



The information given herein, including the drawings, illustrations and schematics are intended for illustration purposes only and is believed reliable. However, STL makes no warranties to its accuracy or completeness and disclaims any liability in connection with its use. The obligations of STL shall be only set forth in STL's standard terms and conditions of sale and in no case shall STL be liable for any incidental, indirect or consequential damages arising from the sale, resale, use or misuse of the product.

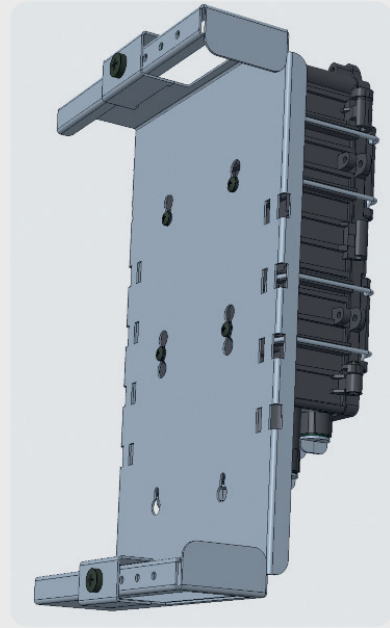
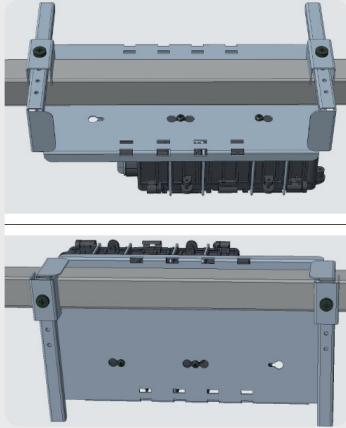
Users of STL products should make their own evaluation to determine the suitability of each product for the specific application.

CHAMBER MOUNTING

Chamber mounting bracket is used to fix the CRS closure to the mobra arm.

The fixation is made sliding the bracket assembly onto Unistrut and tighten once in position.

Face down or left and right options are available.

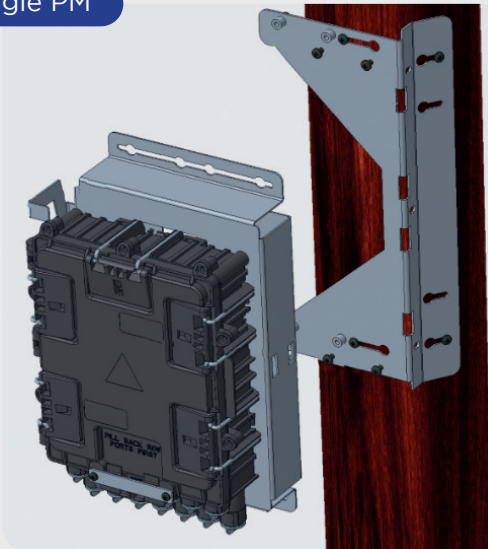


POLE MOUNTINGS

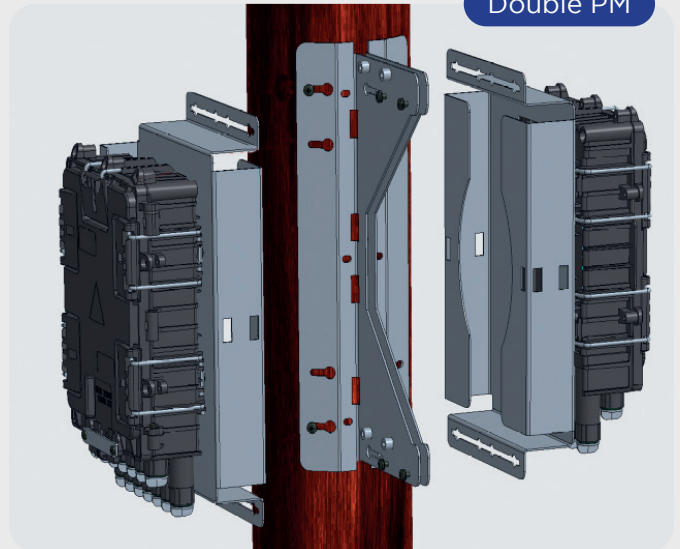
Pole Mounting brackets are designed to fix firmly the CRS closure and to allow a quick and easy removal.

The brackets system has a dedicated area on the back of the closure for the slack storing.

Single PM



Double PM



The information given herein, including the drawings, illustrations and schematics are intended for illustration purposes only and is believed reliable. However, STL makes no warranties to its accuracy or completeness and disclaims any liability in connection with its use. The obligations of STL shall be only set forth in STL's standard terms and conditions of sale and in no case shall STL be liable for any incidental, indirect or consequential damages arising from the sale, resale, use or misuse of the product.

Users of STL products should make their own evaluation to determine the suitability of each product for the specific application.